



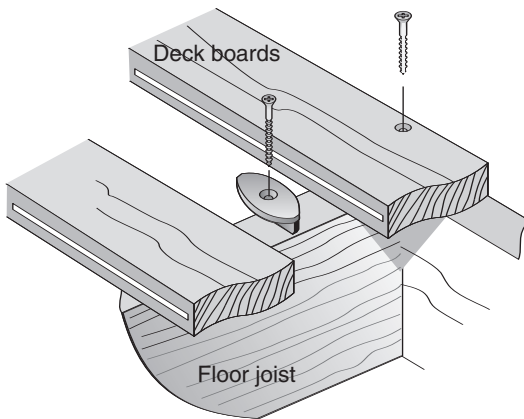
Hidden Deck-Fastening Systems™

316-TS Series Installation Instructions

1. Screw down the outer edge of first deck board using color coordinated Dexxter™ stainless screws.
2. Place EB-TY® fasteners in deck board slots at each joint.
3. Drive a 2-1/4" stainless PTD black finish screw at a 90° angle flush to the top of fastener.
4. Slide your next deck board over the exposed EB-TY® fasteners.
5. Screw down the outer edge of last deck board using color coordinated Dexxter™ stainless screws.

3. Drive a 2-1/4" stainless PTD black finish screw at a 90° angle flush to the top of fastener.

1. Screw Down the outer edge of first deck board using color coordinated Dexxter™ stainless screws.



2. Place EB-TY® fasteners in deck board slots at each joint.

4. Slide your next deck board over the exposed EB-TY® fasteners.

Any Time Is Deck Time™

Welcome to



**World's Premier
Hidden
Deck-Fastening
Systems™**



TS-Series

The Perfect Fastener System

EB-TY® “TS – Series”

The EB-TY® “TS-Series” is the latest addition to the family of EB-TY’s product line. The originator of the Hidden-Fastening System® is constantly looking for the unfilled niche. Our latest innovation offers the advantage of top screwing, rather than at an angle. The “TS” series delivers a clean, evenly spaced deck every time. Just like the original EB-TY, the “TS” is virtually invisible from both the top and bottom of the deck. Made in the United States of UV resistant polypropylene, the “TS” is maintenance-free, and well-suited for any climate. The “TS” is engineered specifically with composite and PVC decking in mind – these surfaces being more stable than wood. The “TS” series automatically provides 3/16” spacing between deck boards and is installed from the top at a 90° angle with a Swan Secure Products stainless steel trim screw. In nearly all applications, their #7 x 2-1/4” finish screw with black painted head is the perfect fit.

EB-TY® “TP”

“TS” series – “TP” can be used with all composites requiring 3/16” gapping.



Fastener Dimensions:

Height: 13/32”
Width: 7/8”
Length: 2-3/8”
Thickness: .140”
Keel Thickness: 3/16”

EB-TY® “TT”

“TS” series – “TT” is used with TimberTech® grooved plank decking.

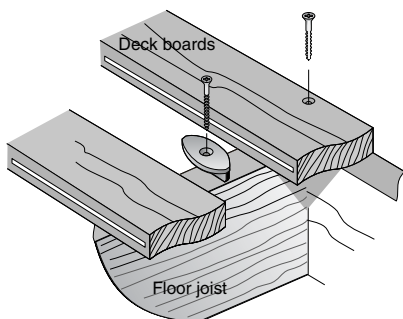


Fastener Dimensions:

Height: 17/32”
Width: 7/8”
Length: 2-3/8”
Thickness: .140”
Keel Thickness: 3/16”

3. Drive a 2-1/4” stainless PTD black finish screw at a 90° angle flush to the top of fastener.

1. Screw down the outer edge of first deck board using color coordinated Dexxter™ stainless screws.



2. Place EB-TY® fasteners in deck board slots at each joint.

4. Slide your next deck board over the exposed EB-TY® fasteners.